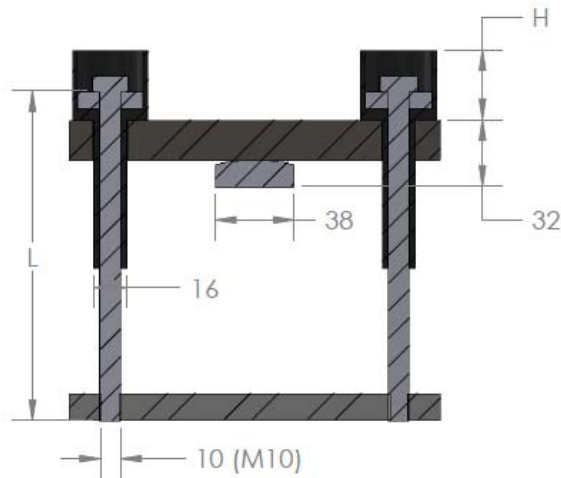
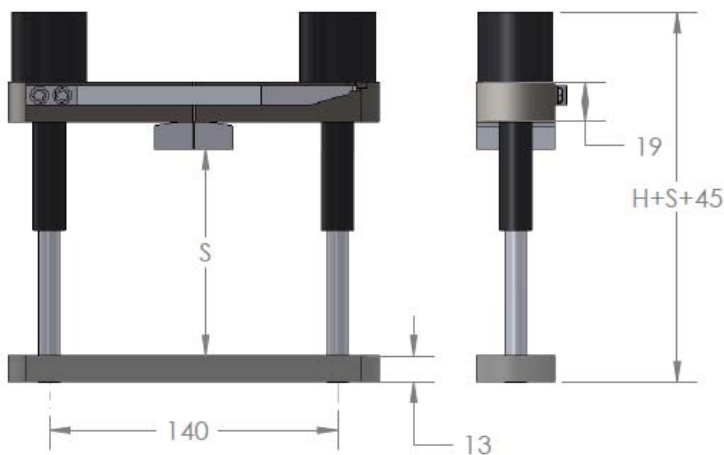
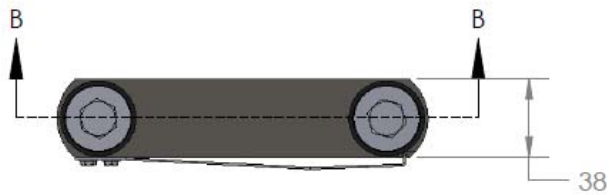


**C140-KNS Bar Clamps**  
 WITH PRECALIBRATED FORCE  
 BOLT INTERAXYS – 140 MM  
 PRESET PRESSURES 45KN  
 MAXIMUM PUK DIAMETER – 101MM



**BOLT LENGTH CALCULATOR**  
 NOTE: ALL DIMENSIONS ARE IN MM

L	S MIN	S MAX
100	28	41
110	38	51
120	48	61
130	58	71
140	68	81
150	78	91
160	88	101
170	98	111



ORDERING INFORMATION EXAMPLE: C140-45KNS-200  
 CLAMP MODEL ————  
 PRECALIBRATED CLAMPING FORCE = 45KN ————  
 BOLT LENGTH= 200MM ————  
 Note: Additional Bolt Lengths Available